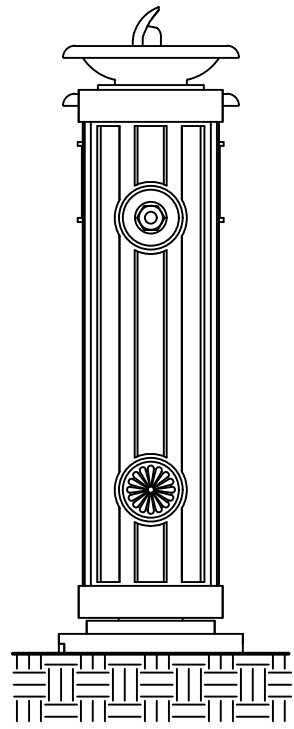
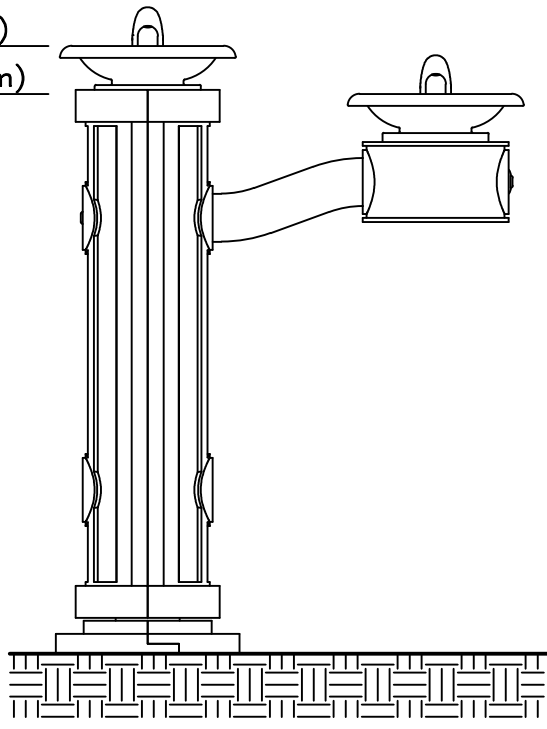


TOP VIEW

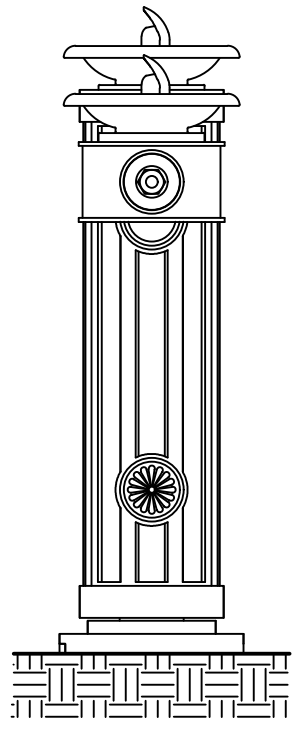


SIDE VIEW

3'-2" (965 mm)
2'-11" (889 mm)



FRONT VIEW




SIDE VIEW

0'-0"
FINISHED
GRADE

This drawing reveals the copyrighted intellectual property of Columbia Cascade Company. Not for use by others without our express, written authorization.
 Authorization for use is hereby granted to architects, landscape architects and similar design professionals solely for the purpose of specifying TimberForm products.

08-25-22 EDIT NOTE WW/AC

Scale 1"=1'-0" Drawn by: AT 07-04-10 Ck'd by:

 **COLUMBIA CASCADE COMPANY**
 Makers of TimberForm®, PipeLine®, RePlay®, TimberForm®-2 and CycLoops® Products.
www.TimberForm.com
 Phone: 503/223-1157 Email: HQ@TimberForm.com

This drawing reveals the copyrighted intellectual property of Columbia Cascade Company. Not for use by others without our express, written authorization.

Title:
TIMBERFORM CRAFTSMEN
MODEL NO. 2668-02
ACCESSIBLE DRINKING FOUNTAIN

Drawing No. **W-2668-02** Sheet **1 of 1**