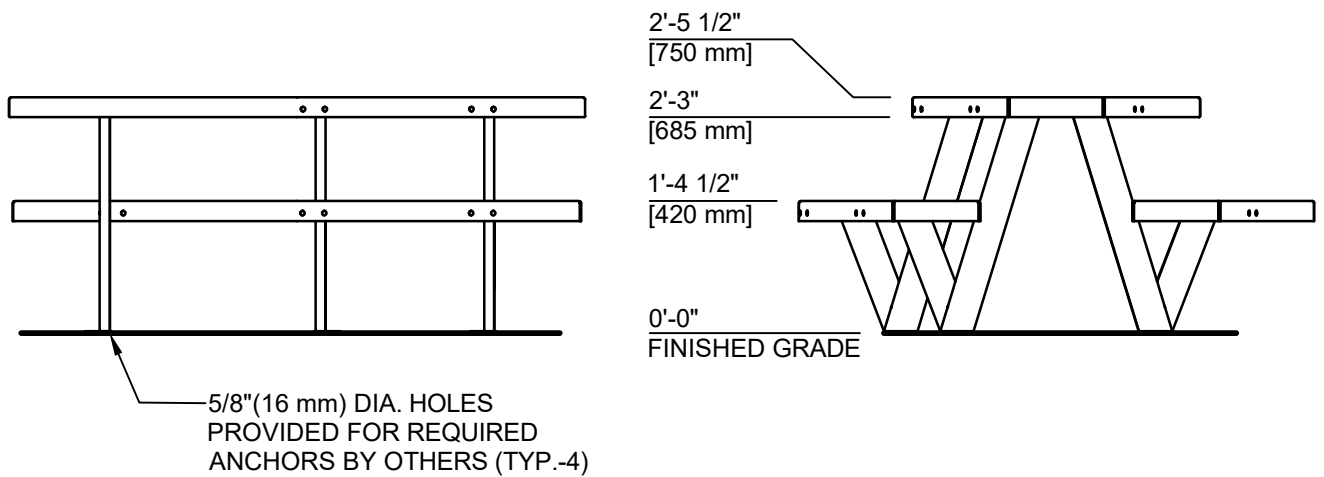


TOP VIEW



FRONT VIEW

END VIEW



Date	Revision	By
△		
△		
△		
△		
Scale 1/2" = 1'-0"	Drawn by: JH CK'd by: SK	06-28-22 06-28-22

COLUMBIA CASCADE COMPANY
 Makers of TimberForm®, PipeLine®, RePlay®,
 TimberForm®-2 and CycLoops® Products.

www.TimberForm.com
 Phone: 503/223-1157 Email: HQ@TimberForm.com

This drawing reveals the copyrighted intellectual property of Columbia Cascade Company. Not for use by others without our express, written authorization.

Title:
 TIMBERFORM METRO™
 MODEL NO. 2674-60-ADA
 ACCESSIBLE TABLE WITH SEATS

Drawing No.
 W-2674-60-ADA

Sheet
 1 of 1