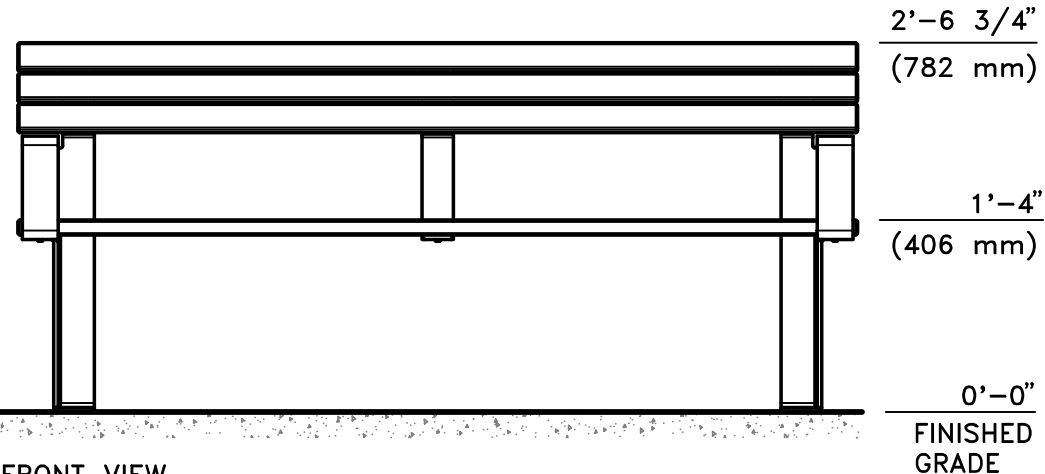
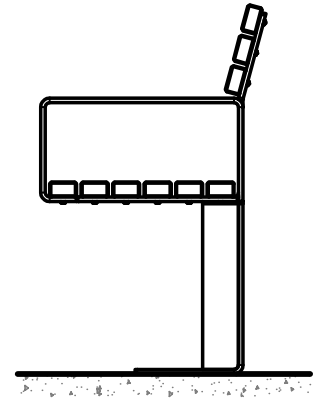


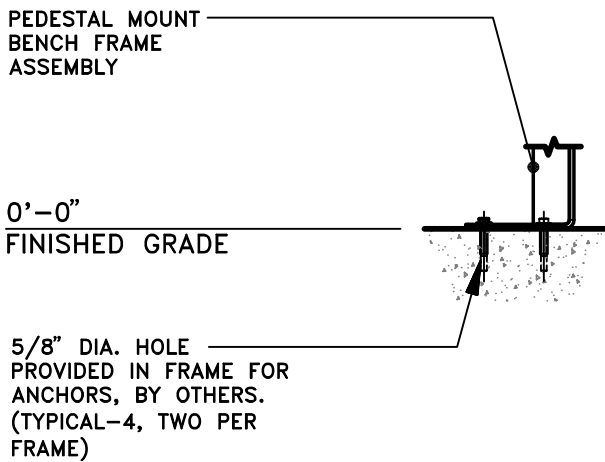
TOP VIEW
SCALE 3/4"=1'-0"



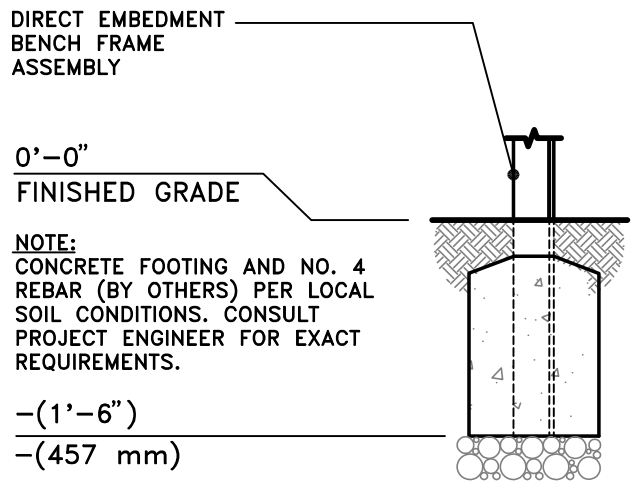
FRONT VIEW
SCALE 3/4"=1'-0"



AVAILABLE IN 3', 4', 6' (SHOWN), 7', & 8' NOMINAL LENGTHS.
OTHER LENGTHS AVAILABLE UPON REQUEST.



2720-6-P (PEDESTAL MOUNT)



2720-6-E (DIRECT EMBEDMENT)

Date	Revision	By
△		
△		
△		
△	02-05-20 REFORMAT	GH/JK
Scale	Drawn by: GH	12-03-19
NOTED	Ck'd by: IH	12-03-19

COLUMBIA CASCADE COMPANY
Makers of TimberForm®, PipeLine®, RePlay®,
TimberForm®-2 and CycLoops® Products.

1300 S.W. Sixth Avenue, Suite 310 Telephone 503/223-1157
Portland, Oregon 97201-3464 Facsimile 503/223-4530
U.S.A.

This drawing reveals the copyrighted intellectual property of Columbia Cascade Company. Not for use by others without our express, written authorization.

Title:
**TIMBERFORM HUMBOLDT
MODEL NO. 2720-6
HUMBOLDT BENCH**

Drawing No.
W-2720-6

Sheet
1 of 1