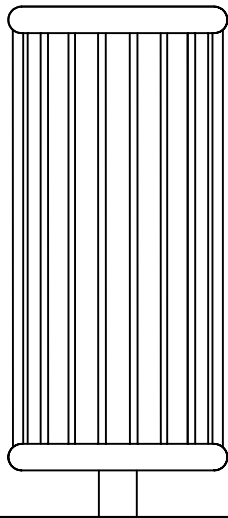


TOP VIEW  
SCALE: 1"=1'-0"

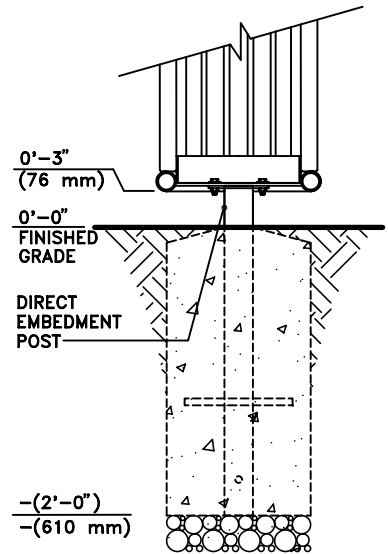
2'-8"  
(813 mm)



0'-0"  
FINISHED  
GRADE

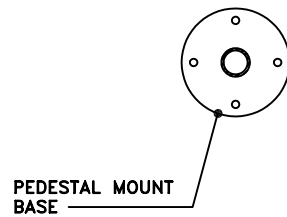
FRONT VIEW  
SCALE: 1"=1'-0"

INCLUDES STEEL ASH TRAY LINER.  
SEE DETAILS AT RIGHT FOR INDIVIDUAL MODELS.

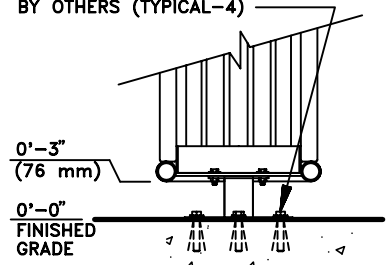


NOTE:  
CONCRETE FOOTING AND NO. 4  
REBAR (BY OTHERS) PER LOCAL  
SOIL CONDITIONS. CONSULT  
PROJECT ENGINEER FOR EXACT  
REQUIREMENTS.

2774-E (EMBEDMENT)  
SCALE: 3/4"=1'-0"



5/8" (16 mm) DIA. HOLES  
PROVIDED FOR ANCHORS  
BY OTHERS (TYPICAL-4)



2774-P (PEDESTAL MOUNT)  
SCALE: 3/4"=1'-0"

This drawing reveals the copyrighted intellectual property of Columbia Cascade Company. Not for use by others without our express, written authorization.

Authorization for use is hereby granted to architects, landscape architects and similar design professionals solely for the purpose of specifying TimberForm products.



COLUMBIA CASCADE COMPANY

Makers of TimberForm®, PipeLine®,  
RePlay®, TimberForm®-2, InterPlay®,  
CycLoops® and CycLocker® Products.

1300 S.W. Sixth Avenue, Suite 310 Telephone 503/223-1157  
Portland, Oregon 97201-3464 Facsimile 503/223-4530  
U.S.A.

WWW.TIMBERFORM.COM

Title:  
TIMBERFORM PLAZA  
MODEL NO. 2774  
ASH RECEPTACLE



Scale NOTED  
Drawn by: AT 07-04-10  
Ck'd by:

Drawing No.  
W-2774

Sheet  
1 of 1