

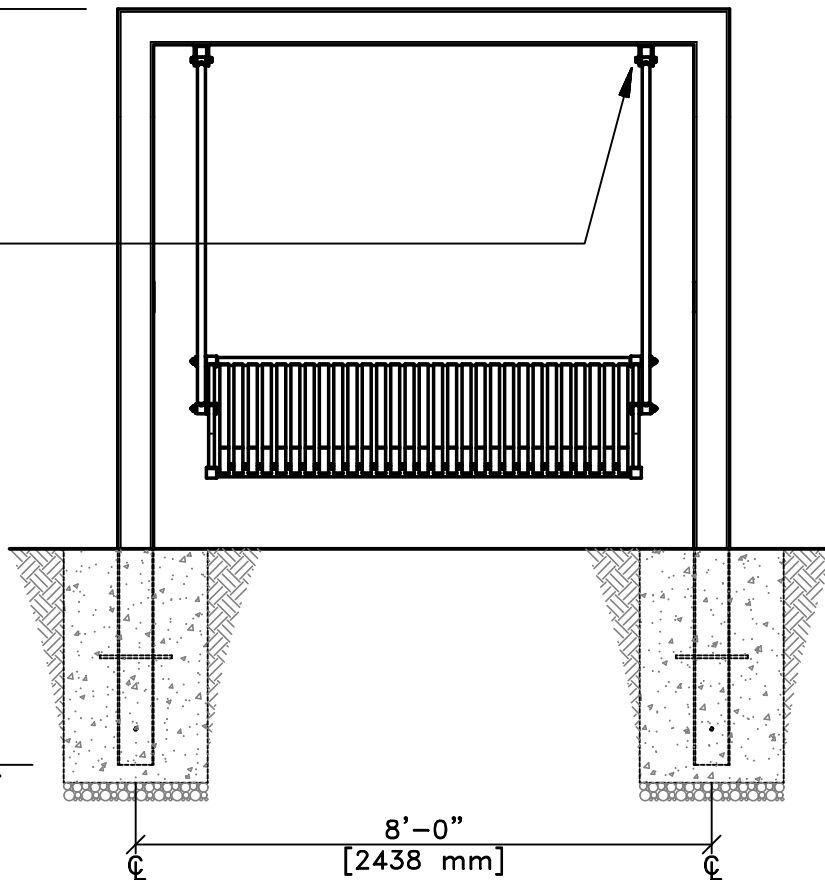
TOP VIEW

7'-6"
TOP OF BEAM

MOTION
LIMITING
HANGER

0'-0"
FINISHED GRADE

-(3'-0")
BOTTOM OF POST



FRONT VIEW

NOTE:
CONCRETE FOOTING
AND NO. 4 REBAR
(BY OTHERS) PER
LOCAL SOIL CONDITIONS.
CONSULT PROJECT
ENGINEER FOR EXACT
REQUIREMENTS.

Authorization for use is hereby granted to architects, landscape architects and similar design professionals solely for the purpose of specifying TimberForm products.



COLUMBIA CASCADE COMPANY
Makers of TimberForm®, PipeLine®, RePlay®,
TimberForm®-2 and CycLoops® Products.

www.TimberForm.com

Phone: 503/223-1157 Email: HQ@TimberForm.com

Title:
TIMBERFORM RENAISSANCE
MODEL NO. 2810-6
GLIDER WITH ARMRESTS



Scale 3/4" = 1'-0"	Drawn by: WW CK'd by: SK	01-04-21 01-04-21
-----------------------	-----------------------------	----------------------

This drawing reveals the copyrighted intellectual property of Columbia Cascade Company. Not for use by others without our express, written authorization.

Drawing No.
W-2810-6

Sheet
1 of 1