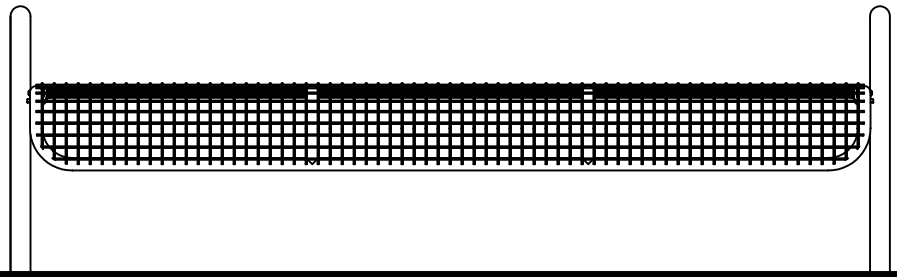
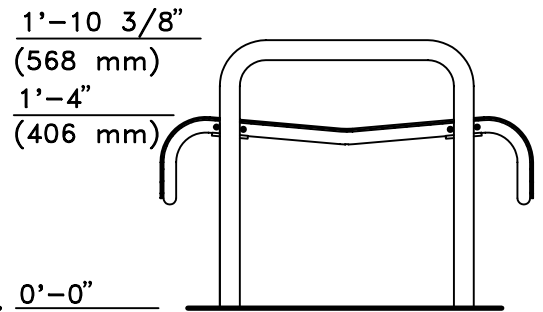


TOP VIEW

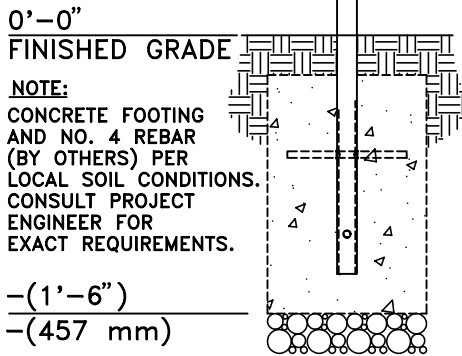


FRONT VIEW

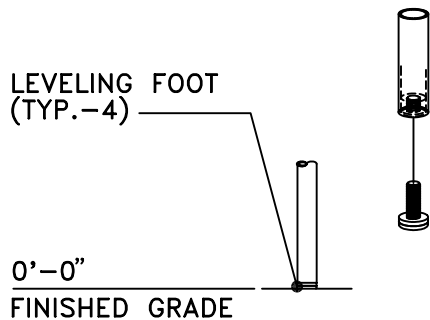


END VIEW

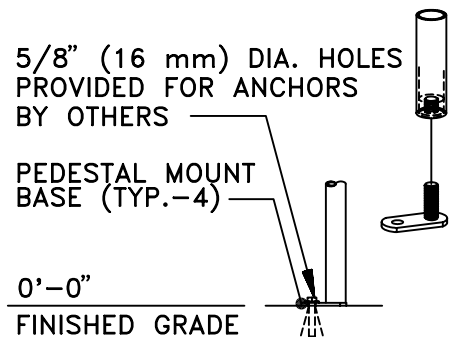
AVAILABLE IN 6' (SHOWN), 8' NOMINAL LENGTHS.
OTHER LENGTHS AVAILABLE UPON REQUEST.



2861-6-E (DIRECT EMBEDMENT)



2861-6-L (LEVELING MOUNT)



2861-6-P (PEDESTAL MOUNT)

This drawing reveals the copyrighted intellectual property of Columbia Cascade Company. Not for use by others without our express, written authorization.
Authorization for use is hereby granted to architects, landscape architects and similar design professionals solely for the purpose of specifying TimberForm products.

COLUMBIA CASCADE COMPANY
Makers of TimberForm®, PipeLine®, RePlay®, TimberForm®-2, InterPlay®, CycLoops® and CycLocker® Products.

Title:
**TIMBERFORM PROFILE
MODEL NO. 2861-6
SEAT WITH ARMRESTS**

Scale: 3/4" = 1'-0"
Drawn by: AT 07-04-10
Ck'd by:

1300 S.W. Sixth Avenue, Suite 310 Telephone 503/223-1157
Portland, Oregon 97201-3464 Facsimile 503/223-4530
U.S.A.
WWW.TIMBERFORM.COM

Drawing No. W-2861-6
Sheet 1 of 1