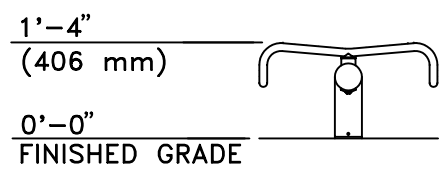
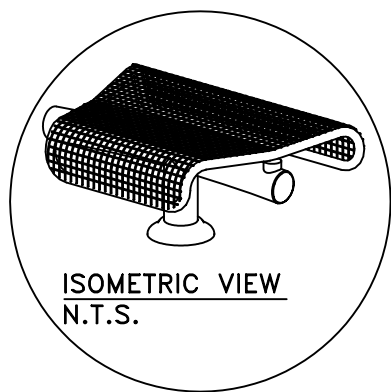


TOP VIEW
SCALE: 3/8"=1'-0"



END VIEW
SCALE: 3/8"=1'-0"

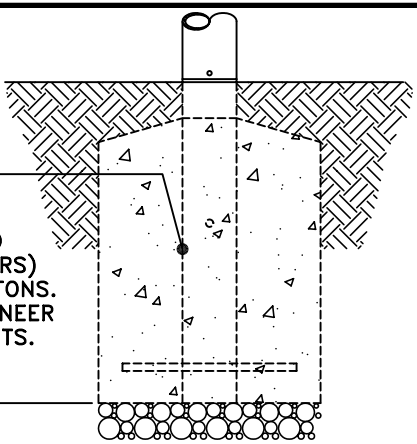
OPTIONS: RADIUS AND NUMBER OF SECTIONS (AVAILABLE UPON REQUEST).

0'-0"
FINISHED GRADE

DIRECT EMBEDMENT POST (TYP.-6)

NOTE:
CONCRETE FOOTING AND NO. 4 REBAR (BY OTHERS) PER LOCAL SOIL CONDITIONS. CONSULT PROJECT ENGINEER FOR EXACT REQUIREMENTS.

-(2'-2 3/4")
-(679 mm)



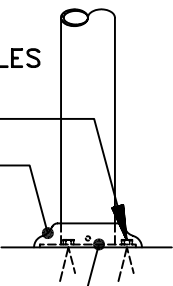
2882-6-E (DIRECT EMBEDMENT)
SCALE: 3/4"=1'-0"

5/8" (16 mm) DIA. HOLES PROVIDED FOR ANCHORS BY OTHERS (TYP.-18)

BASE COVER

0'-0"
FINISHED GRADE

PEDESTAL MOUNT BASE (TYP.-6)



2882-6-P (PEDESTAL MOUNT)
SCALE: 3/4"=1'-0"

This drawing reveals the copyrighted intellectual property of Columbia Cascade Company. Not for use by others without our express, written authorization.
Authorization for use is hereby granted to architects, landscape architects and similar design professionals solely for the purpose of specifying TimberForm products.

△

| | | |
|-------|--------------|----------|
| Scale | Drawn by: AT | 07-04-10 |
| NOTED | CK'd by: | |

COLUMBIA CASCADE COMPANY
Makers of TimberForm®, PipeLine®, RePlay®, TimberForm®-2, InterPlay®, CycLoops® and CycLocker® Products.

1300 S.W. Sixth Avenue, Suite 310 Telephone 503/223-1157
Portland, Oregon 97201-3464 Facsimile 503/223-4530
U.S.A.

WWW.TIMBERFORM.COM

Title:
TIMBERFORM PROFILE
MODEL NO. 2882-6
6 SECTION SEAT

| | |
|-------------|--------|
| Drawing No. | Sheet |
| W-2882-6 | 1 of 1 |