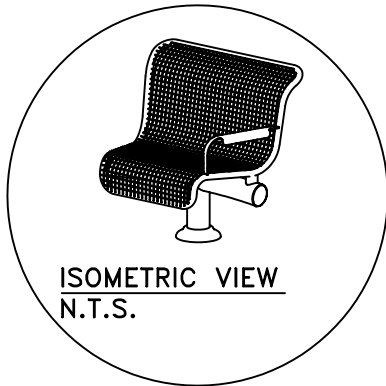


TOP VIEW

SCALE: 3/8" = 1'-0"



ISOMETRIC VIEW
N.T.S.

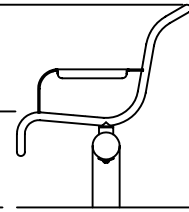
END VIEW

SCALE: 3/8" = 1'-0"

2'-9 3/4"
(857 mm)

1'-4"
(406 mm)

0'-0"
FINISHED GRADE



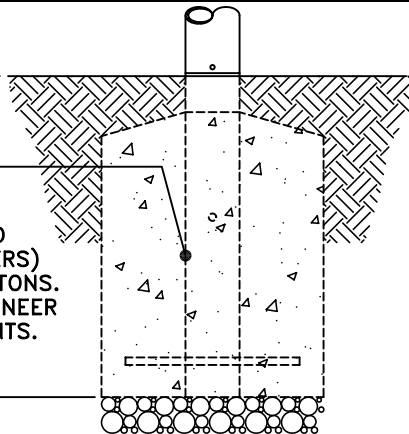
OPTIONS: RADIUS AND NUMBER OF SECTIONS (AVAILABLE UPON REQUEST)

0'-0"
FINISHED GRADE

DIRECT EMBEDMENT
POST (TYP.-6)

NOTE:
CONCRETE FOOTING AND
NO. 4 REBAR (BY OTHERS)
PER LOCAL SOIL CONDITIONS.
CONSULT PROJECT ENGINEER
FOR EXACT REQUIREMENTS.

-(2'-2 3/4")
-(679 mm)



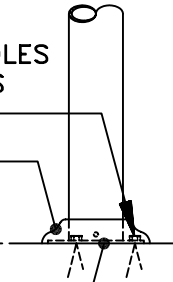
2887-6-E (DIRECT EMBEDMENT)
SCALE: 3/4" = 1'-0"

5/8" (16 mm) DIA. HOLES
PROVIDED FOR ANCHORS
BY OTHERS (TYP.-18)

BASE COVER

0'-0"
FINISHED GRADE

PEDESTAL MOUNT
BASE (TYP.-6)



2887-6-P (PEDESTAL MOUNT)
SCALE: 3/4" = 1'-0"

This drawing reveals the copyrighted intellectual property of Columbia Cascade Company. Not for use by others without our express, written authorization.

Authorization for use is hereby granted to architects, landscape architects and similar design professionals solely for the purpose of specifying TimberForm products.



COLUMBIA CASCADE COMPANY

Makers of TimberForm®, PipeLine®,
RePlay®, TimberForm®-2, InterPlay®,
CycLoops® and CycLocker® Products.

1300 S.W. Sixth Avenue, Suite 310 Telephone 503/223-1157
Portland, Oregon 97201-3464 Facsimile 503/223-4530
U.S.A.

WWW.TIMBERFORM.COM

Title:

TIMBERFORM PROFILE
MODEL NO. 2887-6
6 SECTION BENCH WITH ARMRESTS



Scale NOTED
Drawn by: AT 07-04-10
Ck'd by:

Drawing No.
W-2887-6

Sheet
1 of 1