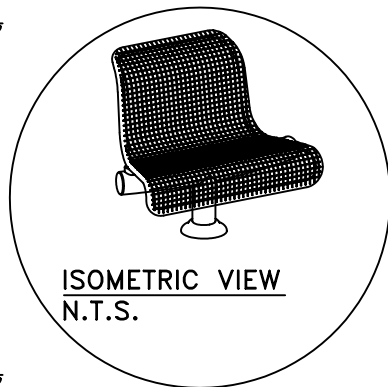
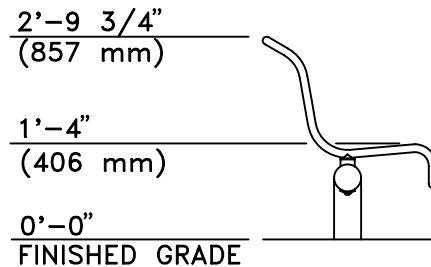


TOP VIEW  
SCALE: 3/8"=1'-0"



END VIEW  
SCALE: 3/8"=1'-0"

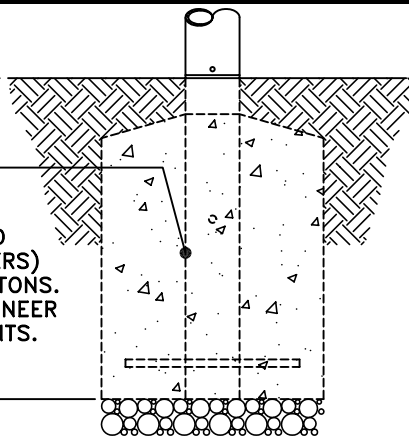


OPTIONS: RADIUS AND NUMBER OF SECTIONS (AVAILABLE UPON REQUEST).

0'-0"  
FINISHED GRADE  
DIRECT EMBEDMENT  
POST (TYP.-6)

NOTE:  
CONCRETE FOOTING AND  
NO. 4 REBAR (BY OTHERS)  
PER LOCAL SOIL CONDITIONS.  
CONSULT PROJECT ENGINEER  
FOR EXACT REQUIREMENTS.

-(2'-2 3/4")  
-(679 mm)



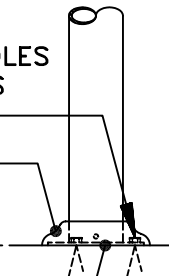
2888-6-E (DIRECT EMBEDMENT)  
SCALE: 3/4"=1'-0"

5/8" (16 mm) DIA. HOLES  
PROVIDED FOR ANCHORS  
BY OTHERS (TYP.-18)

BASE COVER

0'-0"  
FINISHED GRADE

PEDESTAL MOUNT  
BASE (TYP.-6)



2888-6-P (PEDESTAL MOUNT)  
SCALE: 3/4"=1'-0"

This drawing reveals the copyrighted intellectual property of Columbia Cascade Company. Not for use by others without our express, written authorization.

Authorization for use is hereby granted to architects, landscape architects and similar design professionals solely for the purpose of specifying TimberForm products.



COLUMBIA CASCADE COMPANY

Makers of TimberForm®, PipeLine®, RePlay®, TimberForm®-2, InterPlay®, CycLoops® and CycLocker® Products.

1300 S.W. Sixth Avenue, Suite 310 Telephone 503/223-1157  
Portland, Oregon 97201-3464 Facsimile 503/223-4530  
U.S.A.

WWW.TIMBERFORM.COM

Title:  
TIMBERFORM PROFILE  
MODEL NO. 2888-6  
6 SECTION BENCH



Scale NOTED  
Drawn by: AT 07-04-10  
Ck'd by:

Drawing No.  
W-2888-6

Sheet  
1 of 1