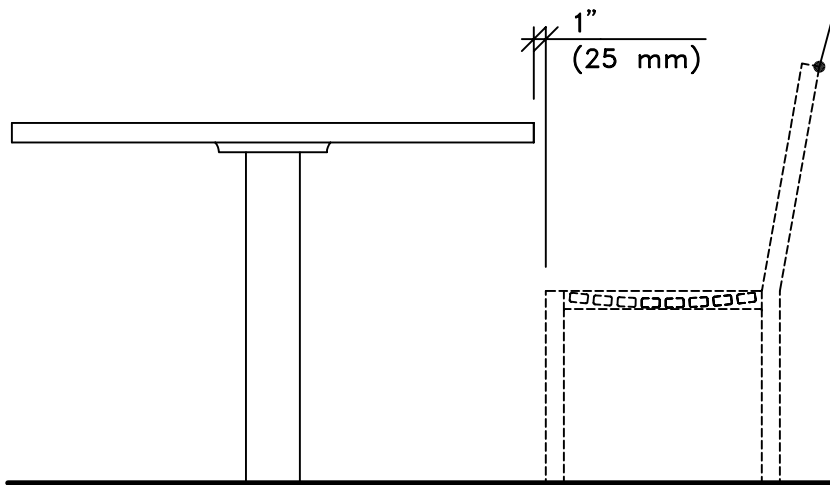


TOP VIEW

2'-6"
(762 mm)



0'-0"

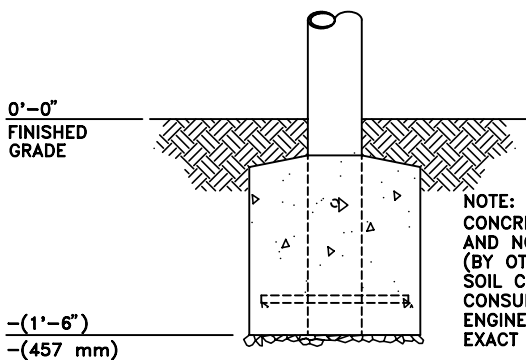
FINISHED GRADE

FRONT VIEW

1"
(25 mm)

SPECIFY
MATCHING
CHAIR
MODEL NO.
2901-20
OR SEAT NO.
2900-20

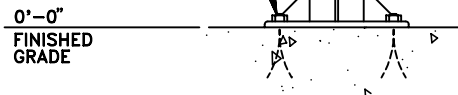
SPECIFY NO. 2903 FOR OPTIONAL GAMEBOARD OR NO. 2904 FOR UMBRELLA HOLE.



2902-4444-E (DIRECT EMBEDMENT)

NOTE:
CONCRETE FOOTING
AND NO. 4 REBAR
(BY OTHERS) PER LOCAL
SOIL CONDITIONS.
CONSULT PROJECT
ENGINEER FOR
EXACT REQUIREMENTS.

7/8" (22 mm) DIAMETER HOLES
PROVIDED FOR ANCHORS
BY OTHERS



2902-4444-P (PEDESTAL MOUNT)

This drawing reveals the copyrighted intellectual property of Columbia Cascade Company. Not for use by others without our express, written authorization.

Authorization for use is hereby granted to architects, landscape architects and similar design professionals solely for the purpose of specifying TimberForm products.



Scale 3/4" = 1'-0" Drawn by: AT 07-04-10 Ck'd by:

COLUMBIA CASCADE COMPANY
Makers of TimberForm®, PipeLine®, RePlay®, TimberForm®-2, InterPlay®, CycLoops® and CycLocker® Products.

1300 S.W. Sixth Avenue, Suite 310 Telephone 503/223-1157
Portland, Oregon 97201-3464 Facsimile 503/223-4530
U.S.A.

WWW.TIMBERFORM.COM

Title:
TIMBERFORM MANOR TABLES
MODEL NO. 2902-4444
ACCESSIBLE SQUARE TABLE
WITH CENTER SUPPORT

Drawing No.
W-2902-4444

Sheet
1 of 1