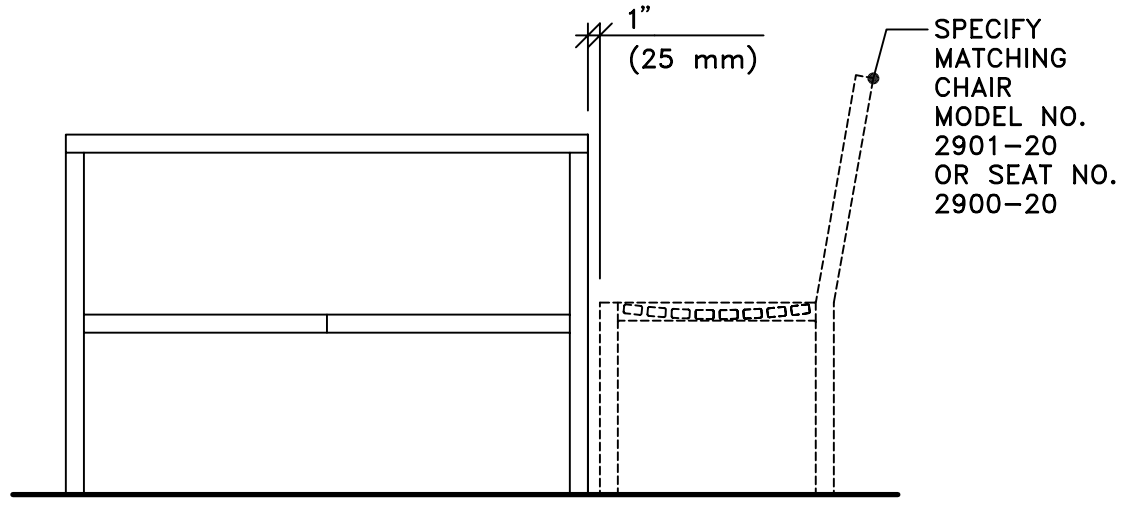


TOP VIEW

2'-6"
(762 mm)



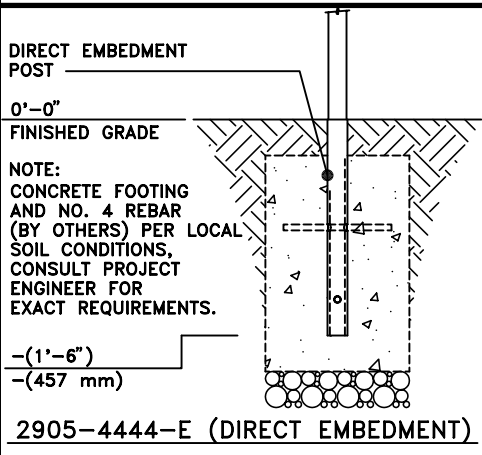
0'-0"

FINISHED GRADE

FRONT VIEW

SPECIFY NO. 2906 FOR OPTIONAL GAMEBOARD OR NO. 2907 FOR UMBRELLA HOLE.

SPECIFY
MATCHING
CHAIR
MODEL NO.
2901-20
OR SEAT NO.
2900-20



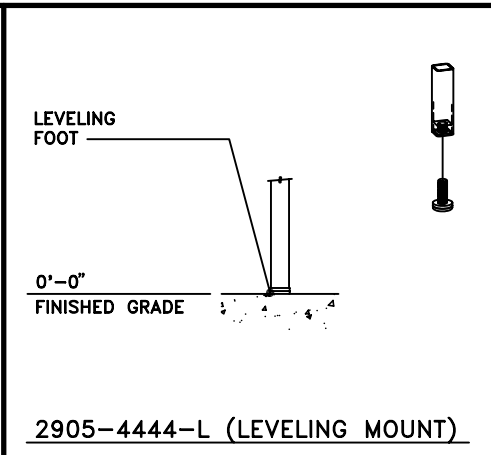
DIRECT EMBEDMENT
POST

0'-0"
FINISHED GRADE

NOTE:
CONCRETE FOOTING
AND NO. 4 REBAR
(BY OTHERS) PER LOCAL
SOIL CONDITIONS,
CONSULT PROJECT
ENGINEER FOR
EXACT REQUIREMENTS.

-1'-6"
-(457 mm)

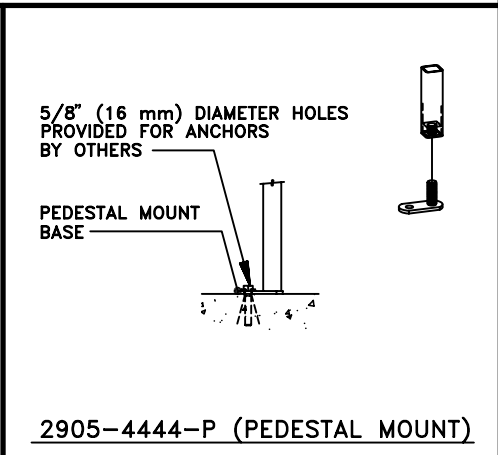
2905-4444-E (DIRECT EMBEDMENT)



LEVELING
FOOT

0'-0"
FINISHED GRADE

2905-4444-L (LEVELING MOUNT)



5/8" (16 mm) DIAMETER HOLES
PROVIDED FOR ANCHORS
BY OTHERS

PEDESTAL MOUNT
BASE

2905-4444-P (PEDESTAL MOUNT)

This drawing reveals the copyrighted intellectual property of Columbia Cascade Company. Not for use by others without our express, written authorization.
Authorization for use is hereby granted to architects, landscape architects and similar design professionals solely for the purpose of specifying TimberForm products.

COLUMBIA CASCADE COMPANY
Makers of TimberForm®, PipeLine®, RePlay®, TimberForm®-2, InterPlay®, CycLoops® and CycLocker® Products.

Title:
TIMBERFORM MANOR TABLES
MODEL NO. 2905-4444
SQUARE TABLE WITH FOUR LEGS

Scale: 3/4" = 1'-0"
Drawn by: AT 07-04-10
Ck'd by:

1300 S.W. Sixth Avenue, Suite 310 Telephone 503/223-1157
Portland, Oregon 97201-3464 Facsimile 503/223-4530
U.S.A.
WWW.TIMBERFORM.COM

Drawing No. W-2905-4444
Sheet 1 of 1