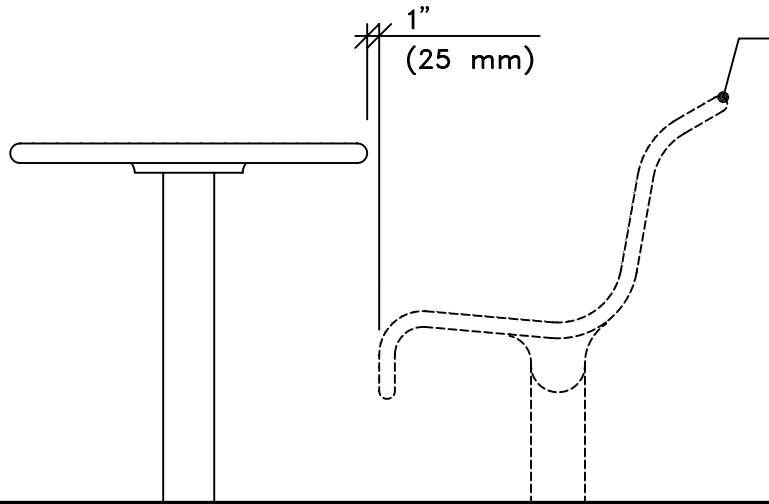


**TOP VIEW**

2'-6"  
(762 mm)

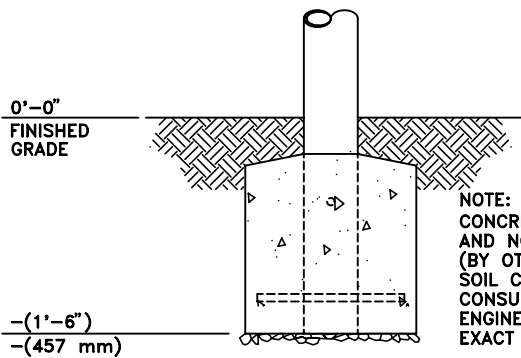


SPECIFY MATCHING CHAIR MODELS NO. 2921-20 2941-20 (SHOWN) 2961-20 OR SEAT MODELS NO. 2920-20 2940-20 2960-20

0'-0"  
FINISHED GRADE

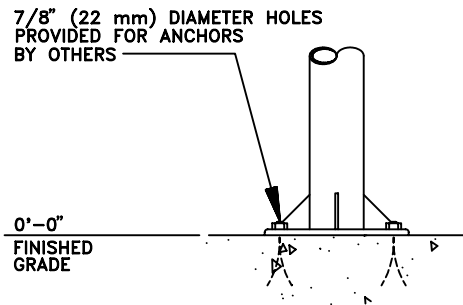
**FRONT VIEW**

SPECIFY NO. 2923 FOR OPTIONAL GAMEBOARD OR NO. 2924 FOR UMBRELLA HOLE.



NOTE: CONCRETE FOOTING AND NO. 4 REBAR (BY OTHERS) PER LOCAL SOIL CONDITIONS, CONSULT PROJECT ENGINEER FOR EXACT REQUIREMENTS.

2922-0030-E (DIRECT EMBEDMENT)



2922-0030-P (PEDESTAL MOUNT)

This drawing reveals the copyrighted intellectual property of Columbia Cascade Company. Not for use by others without our express, written authorization. Authorization for use is hereby granted to architects, landscape architects and similar design professionals solely for the purpose of specifying TimberForm products.

**COLUMBIA CASCADE COMPANY**  
Makers of TimberForm®, PipeLine®, RePlay®, TimberForm®-2, InterPlay®, CycLoops® and CycLocker® Products.

1300 S.W. Sixth Avenue, Suite 310 Telephone 503/223-1157  
Portland, Oregon 97201-3464 Facsimile 503/223-4530  
U.S.A.

Title: **TIMBERFORM PROFILE TABLES**  
MODEL NO. 2922-0030  
ROUND TABLE WITH CENTER SUPPORT

Scale	Drawn by: AT	07-04-10
3/4" = 1'-0"	ck'd by:	

WWW.TIMBERFORM.COM

Drawing No. **W-2922-0030**

Sheet **1 of 1**