

TOP VIEW

2'-6"
(762 mm)

1"
(25 mm)

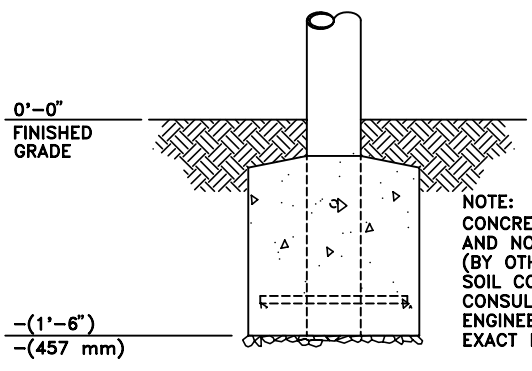
SPECIFY MATCHING CHAIR MODEL NO. 2931-20 OR SEAT NO. 2930-20

0'-0"
FINISHED GRADE

FRONT VIEW

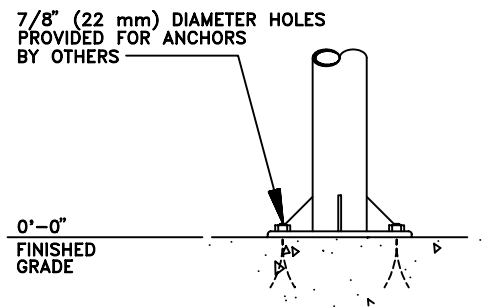


SPECIFY NO. 2933 FOR OPTIONAL GAMEBOARD OR NO. 2934 FOR UMBRELLA HOLE.



2932-0044-E (DIRECT EMBEDMENT)

NOTE:
CONCRETE FOOTING AND NO. 4 REBAR (BY OTHERS) PER LOCAL SOIL CONDITIONS, CONSULT PROJECT ENGINEER FOR EXACT REQUIREMENTS.



2932-0044-P (PEDESTAL MOUNT)

This drawing reveals the copyrighted intellectual property of Columbia Cascade Company. Not for use by others without our express, written authorization.
Authorization for use is hereby granted to architects, landscape architects and similar design professionals solely for the purpose of specifying TimberForm products.

COLUMBIA CASCADE COMPANY
Makers of TimberForm®, PipeLine®, RePlay®, TimberForm®-2, InterPlay®, CycLoops® and CycLocker® Products.

Title:
TIMBERFORM BOULEVARD TABLES
MODEL NO. 2932-0044
ACCESSIBLE ROUND TABLE
WITH CENTER SUPPORT

Scale: 3/4" = 1'-0"
Drawn by: AT 07-04-10
ck'd by:

1300 S.W. Sixth Avenue, Suite 310 Telephone 503/223-1157
Portland, Oregon 97201-3464 Facsimile 503/223-4530
U.S.A.
WWW.TIMBERFORM.COM

Drawing No. W-2932-0044
Sheet 1 of 1