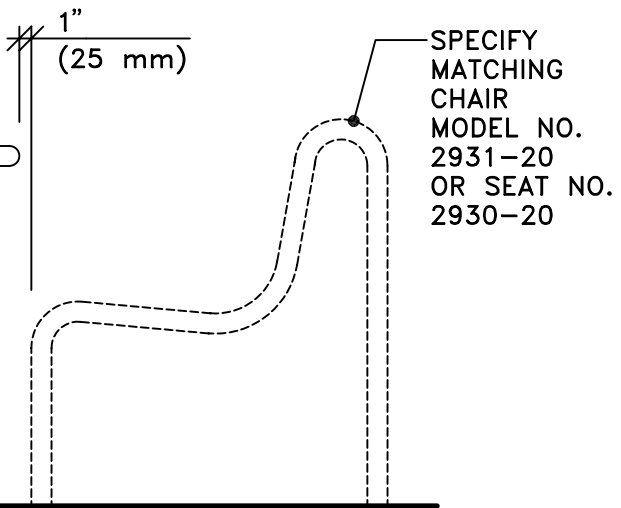


TOP VIEW

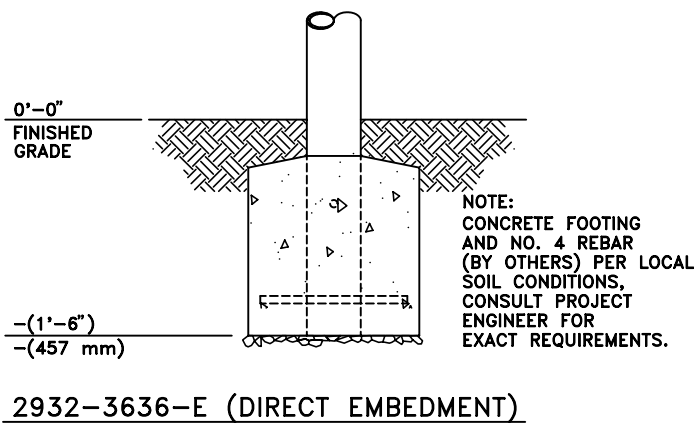
2'-6"
(762 mm)



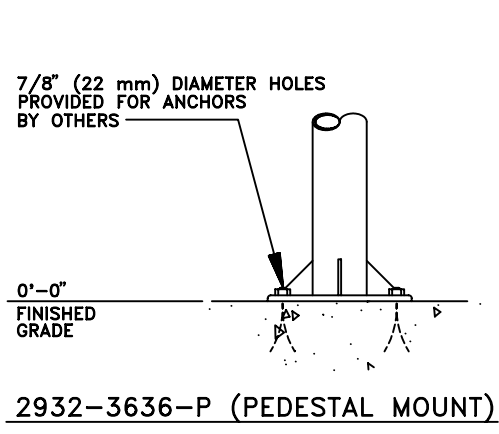
0'-0"
FINISHED GRADE

FRONT VIEW

SPECIFY NO. 2933 FOR OPTIONAL GAMEBOARD OR NO. 2934 FOR UMBRELLA HOLE.



2932-3636-E (DIRECT EMBEDMENT)



2932-3636-P (PEDESTAL MOUNT)

This drawing reveals the copyrighted intellectual property of Columbia Cascade Company. Not for use by others without our express, written authorization.
Authorization for use is hereby granted to architects, landscape architects and similar design professionals solely for the purpose of specifying TimberForm products.

COLUMBIA CASCADE COMPANY
Makers of TimberForm®, PipeLine®, RePlay®, TimberForm®-2, InterPlay®, CycLoops® and CycLocker® Products.

Title:
**TIMBERFORM BOULEVARD TABLES
MODEL NO. 2932-3636
SQUARE TABLE WITH CENTER SUPPORT**

Scale: 3/4" = 1'-0"
Drawn by: AT 07-04-10
Ck'd by:

1300 S.W. Sixth Avenue, Suite 310 Telephone 503/223-1157
Portland, Oregon 97201-3464 Facsimile 503/223-4530
U.S.A.
WWW.TIMBERFORM.COM

Drawing No. W-2932-3636
Sheet 1 of 1