

**TOP VIEW**

2'-6"  
(762 mm)

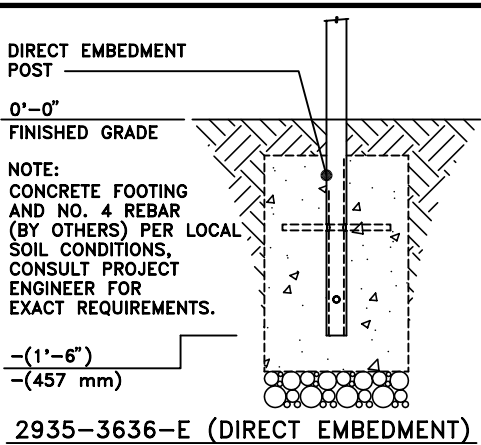
1"  
(25 mm)

SPECIFY MATCHING CHAIR MODEL NO. 2931-20 OR SEAT NO. 2930-20

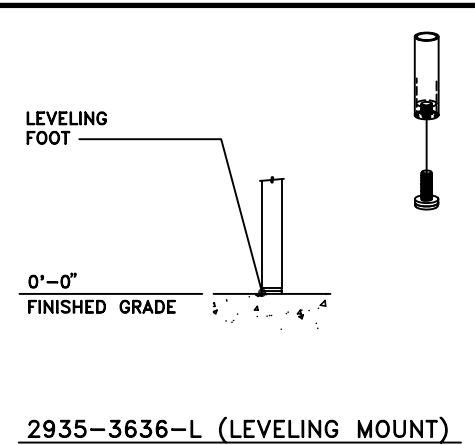
0'-0"  
FINISHED GRADE

**FRONT VIEW**

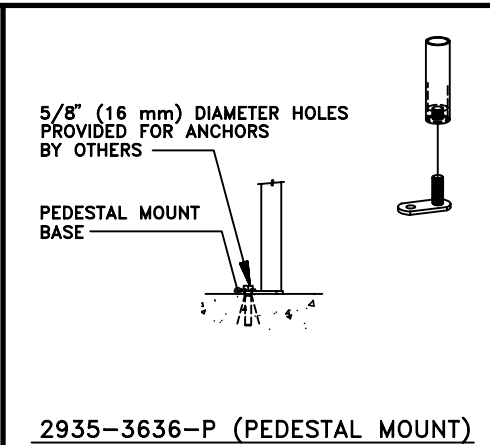
SPECIFY NO. 2936 FOR OPTIONAL GAMEBOARD OR NO. 2937 FOR UMBRELLA HOLE.



**2935-3636-E (DIRECT EMBEDMENT)**



**2935-3636-L (LEVELING MOUNT)**



**2935-3636-P (PEDESTAL MOUNT)**

This drawing reveals the copyrighted intellectual property of Columbia Cascade Company. Not for use by others without our express, written authorization.  
 Authorization for use is hereby granted to architects, landscape architects and similar design professionals solely for the purpose of specifying TimberForm products.

Scale: 3/4" = 1'-0"  
 Drawn by: AT 07-04-10  
 Ck'd by:

**COLUMBIA CASCADE COMPANY**  
 Makers of TimberForm®, PipeLine®, RePlay®, TimberForm®-2, InterPlay®, CycLoops® and CycLocker® Products.  
 1300 S.W. Sixth Avenue, Suite 310 Telephone 503/223-1157  
 Portland, Oregon 97201-3464 Facsimile 503/223-4530 U.S.A.  
 WWW.TIMBERFORM.COM

Title: **TIMBERFORM BOULEVARD TABLES**  
 MODEL NO. 2935-3636  
 SQUARE TABLE WITH FOUR LEGS

Drawing No. **W-2935-3636**  
 Sheet **1 of 1**