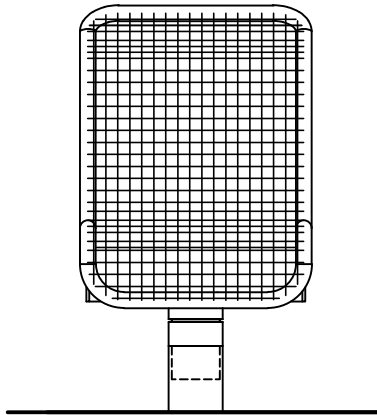


TOP VIEW

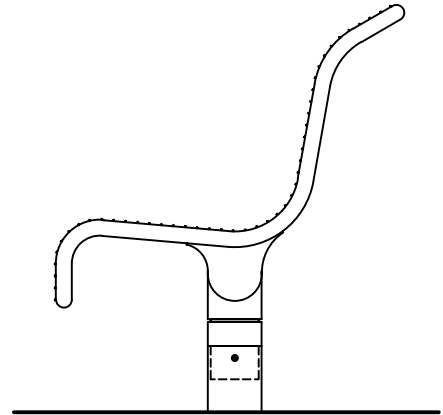
2'-10"
(864 mm)

1'-4"
(406 mm)

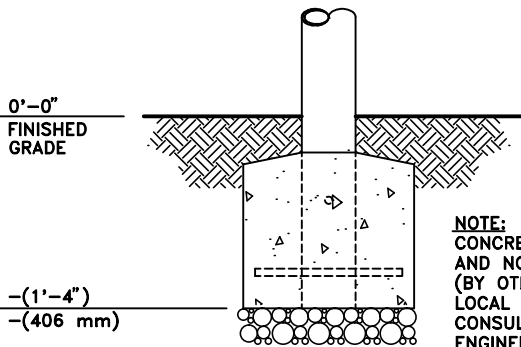
0'-0"
FINISHED GRADE



FRONT VIEW



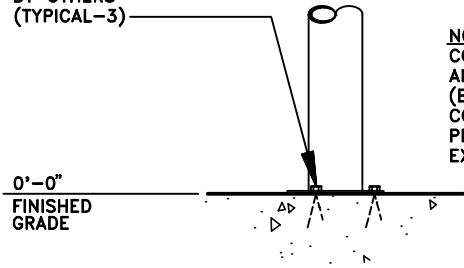
END VIEW



NOTE:
CONCRETE FOOTING
AND NO. 4 REBAR
(BY OTHERS) PER
LOCAL SOIL CONDITIONS.
CONSULT PROJECT
ENGINEER FOR EXACT
REQUIREMENTS.

2941-21-E (DIRECT EMBEDMENT)

5/8" (16 mm) DIAMETER HOLES
PROVIDED FOR ANCHORS
BY OTHERS
(TYPICAL-3)



NOTE:
CONCRETE SLAB AND
ANCHORING DEVICES
(BY OTHERS) PER LOCAL
CONDITIONS. CONSULT
PROJECT ENGINEER FOR
EXACT REQUIREMENTS.

2941-21-P (PEDESTAL MOUNT)

This drawing reveals the copyrighted intellectual property of Columbia Cascade Company. Not for use by others without our express, written authorization.

Authorization for use is hereby granted to architects, landscape architects and similar design professionals solely for the purpose of specifying TimberForm products.



COLUMBIA CASCADE COMPANY

Makers of TimberForm®, PipeLine®, RePlay®, TimberForm®-2, InterPlay®, CycLoops® and CycLocker® Products.

1300 S.W. Sixth Avenue, Suite 310 Telephone 503/223-1157
Portland, Oregon 97201-3464 Facsimile 503/223-4530
U.S.A.

WWW.TIMBERFORM.COM

Title:
TIMBERFORM PROFILE
MODEL NO. 2941-21
SWIVELING CHAIR



Scale	Drawn by: Ian	09-15-15
NOTED	Ch'd by: CL	09-15-15

Drawing No.
W-2941-21

Sheet
1 of 1