

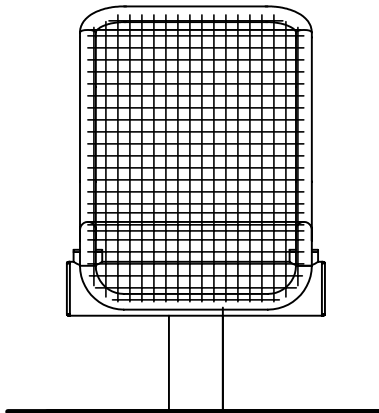
TOP VIEW

2'-9 3/4"
(857 mm)

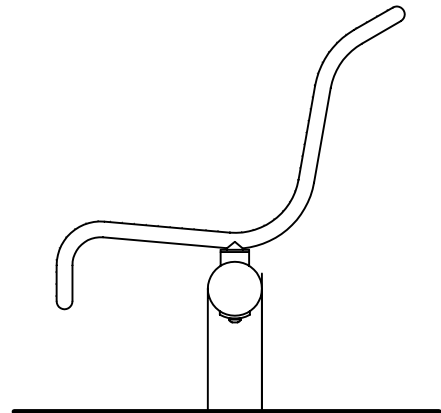
1'-4"
(406 mm)

0'-0"

FINISHED GRADE

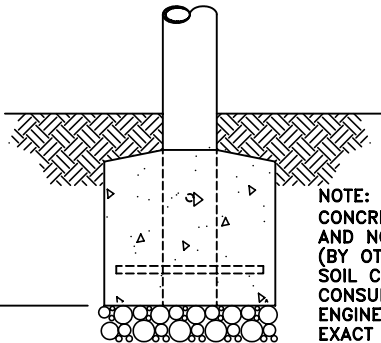


FRONT VIEW



END VIEW

0'-0"
FINISHED
GRADE

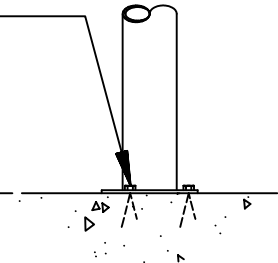


NOTE:
CONCRETE FOOTING
AND NO. 4 REBAR
(BY OTHERS) PER LOCAL
SOIL CONDITIONS.
CONSULT PROJECT
ENGINEER FOR
EXACT REQUIREMENTS.

2961-20-E (DIRECT EMBEDMENT)

5/8" (16 mm) DIAMETER HOLES
PROVIDED FOR ANCHORS
BY OTHERS
(TYPICAL-3)

0'-0"
FINISHED
GRADE



2961-20-P (PEDESTAL MOUNT)

This drawing reveals the copyrighted intellectual property of Columbia Cascade Company. Not for use by others without our express, written authorization.

Authorization for use is hereby granted to architects, landscape architects and similar design professionals solely for the purpose of specifying TimberForm products.



COLUMBIA CASCADE COMPANY

Makers of TimberForm®, PipeLine®,
RePlay®, TimberForm®-2, InterPlay®,
CycLoops® and CycLocker® Products.

1300 S.W. Sixth Avenue, Suite 310 Telephone 503/223-1157
Portland, Oregon 97201-3464 Facsimile 503/223-4530
U.S.A.

WWW.TIMBERFORM.COM

Title:
**TIMBERFORM PROFILE
MODEL NO. 2961-20
CHAIR**



Scale
3/4" = 1'-0"

Drawn by: AT 07-04-10
Ck'd by:

Drawing No.
W-2961-20

Sheet
1 of 1