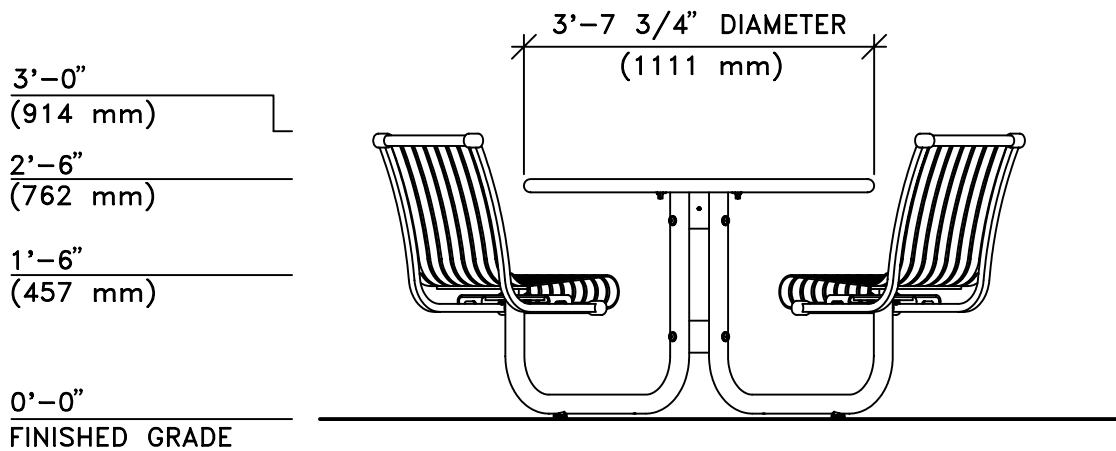


TOP VIEW



FRONT VIEW

This drawing reveals the copyrighted intellectual property of Columbia Cascade Company. Not for use by others without our express, written authorization.  
 Authorization for use is hereby granted to architects, landscape architects and similar design professionals solely for the purpose of specifying TimberForm products.



**COLUMBIA CASCADE COMPANY**  
 Makers of TimberForm®, PipeLine®,  
 RePlay®, TimberForm®-2, InterPlay®,  
 CycLoops® and CycLocker® Products.

Title:  
**TIMBERFORM RENAISSANCE**  
**MODEL NO. 2977-41**  
**INTEGRAL TABLE WITH FOUR CHAIRS**

12-03-10	DIMENSIONS	DS/CL
Scale	Drawn by: AT	07-04-10
1/2"=1'-0"	Ck'd by:	

1300 S.W. Sixth Avenue, Suite 310 Telephone 503/223-1157  
 Portland, Oregon 97201-3464 Facsimile 503/223-4530  
 U.S.A.

WWW.TIMBERFORM.COM

Drawing No.  
**W-2977-41**

Sheet  
**1 of 1**