

TOP VIEW

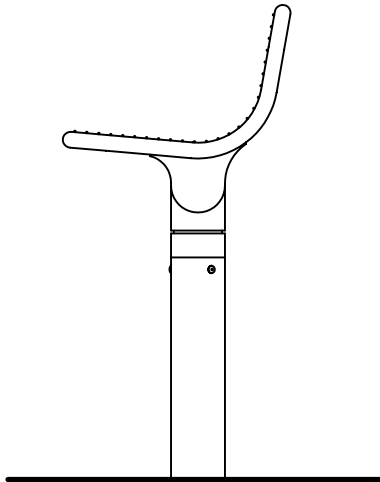
3'-3 1/2"
(1003 mm)

2'-5"
(737 mm)

0'-0"

FINISHED GRADE

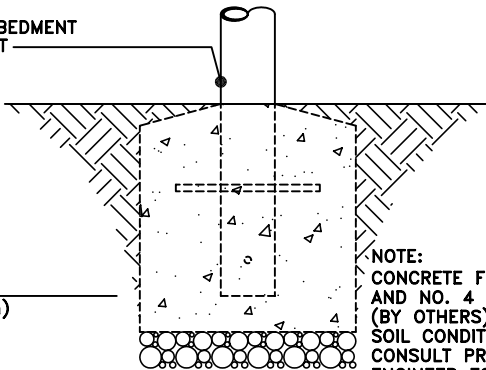
FRONT VIEW



**DIRECT EMBEDMENT
CHAIR POST**

0'-0"
FINISHED
GRADE

-(1'-4")
-(406 mm)



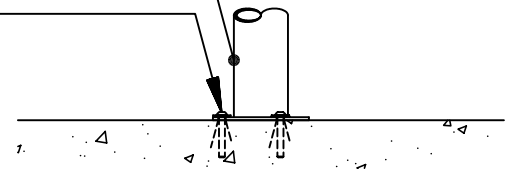
NOTE:
CONCRETE FOOTING
AND NO. 4 REBAR
(BY OTHERS) PER LOCAL
SOIL CONDITIONS.
CONSULT PROJECT
ENGINEER FOR
EXACT REQUIREMENTS.

2981-01-E (DIRECT EMBEDMENT)

**PEDESTAL MOUNT
CHAIR POST
ASSEMBLY**

**5/8" (16 mm) DIAMETER HOLES
PROVIDED FOR ANCHORS
BY OTHERS
(TYPICAL-3)**

0'-0"
FINISHED
GRADE



2981-01-P (PEDESTAL MOUNT)

This drawing reveals the copyrighted intellectual property of Columbia Cascade Company. Not for use by others without our express, written authorization.

Authorization for use is hereby granted to architects, landscape architects and similar design professionals solely for the purpose of specifying TimberForm products.



COLUMBIA CASCADE COMPANY

Makers of TimberForm®, PipeLine®, RePlay®, TimberForm®-2, InterPlay®, CycLoops® and CycLocker® Products.

1300 S.W. Sixth Avenue, Suite 310 Telephone 503/223-1157
Portland, Oregon 97201-3464 Facsimile 503/223-4530
U.S.A.

WWW.TIMBERFORM.COM

Title:

**TIMBERFORM BISTRO
MODEL NO. 2981-01
TALL SWIVEL CHAIR
(WELDED WIRE TOP)**



Scale
3/4" = 1'-0"

Drawn by: AT 07-04-10
Ck'd by:

Drawing No.
W-2981-01

Sheet
1 of 1