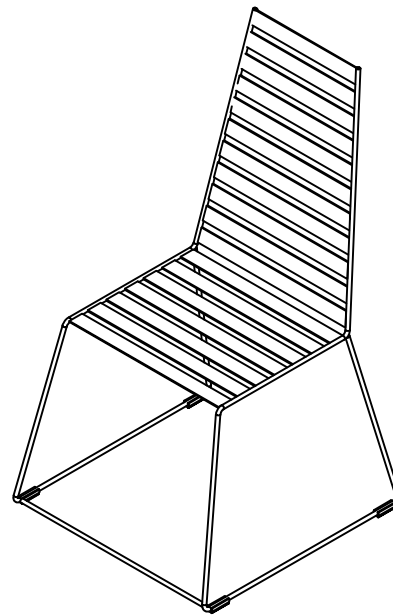
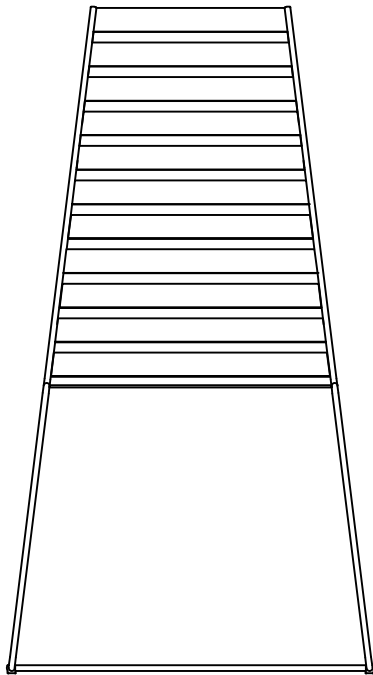


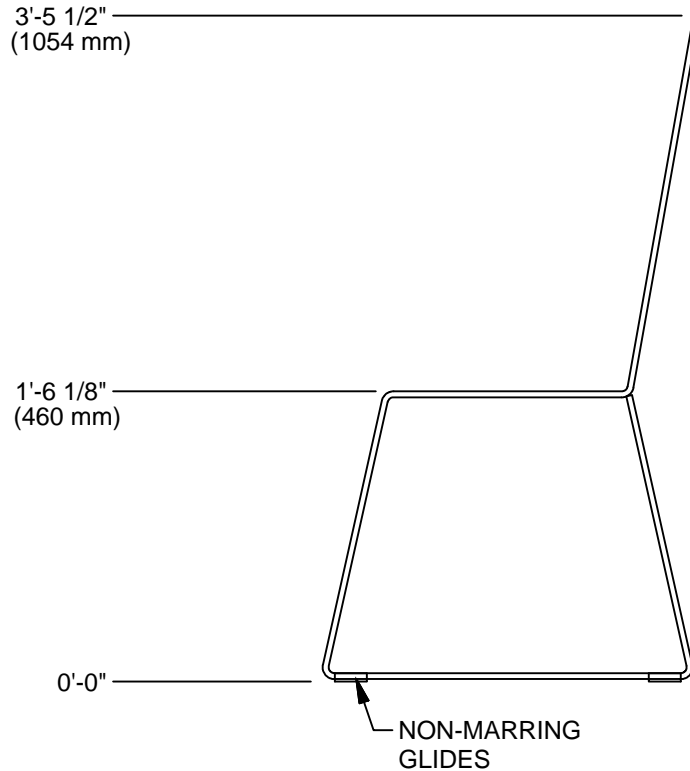
TOP VIEW  
SCALE: 1"=1'-0"



ISOMETRIC VIEW  
SCALE: 3/4"=1'-0"



FRONT VIEW  
SCALE: 1"=1'-0"



SIDE VIEW  
SCALE: 1"=1'-0"

This drawing reveals the copyrighted intellectual property of Columbia Cascade Company. Not for use by others without our express, written authorization.

Authorization for use is hereby granted to architects, landscape architects and similar design professionals solely for the purpose of specifying TimberForm products.



**COLUMBIA CASCADE COMPANY**

Makers of TimberForm®, PipeLine®, RePlay®, TimberForm®-2, InterPlay®, CycLoops® and CycLocker® Products.

1300 S.W. Sixth Avenue, Suite 310 Telephone 503/223-1157  
Portland, Oregon 97201-3464 Facsimile 503/223-4530  
U.S.A.

WWW.TIMBERFORM.COM

Title:  
**TIMBERFORM CITY  
MODEL NO. 2984  
STACKABLE CHAIR**



Scale  
NOTED

Drawn by: CL 06-17-15  
Ck'd by:

Drawing No.  
W-2984

Sheet  
1 of 1