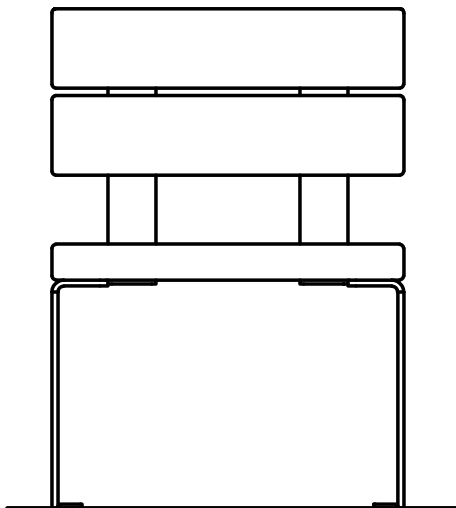
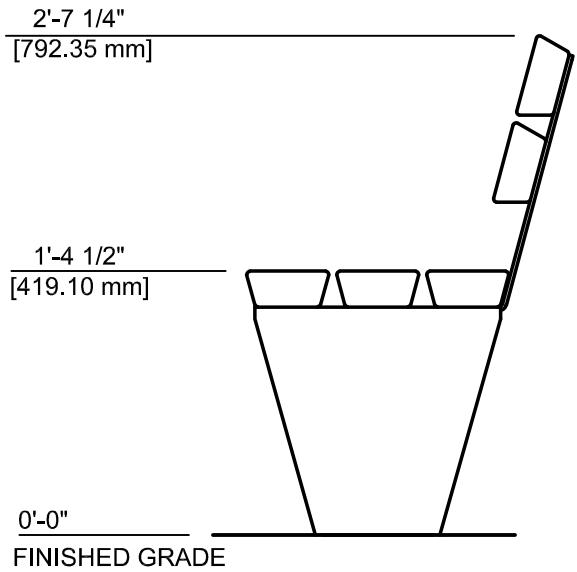


TOP VIEW



FRONT VIEW



SIDE VIEW

5/8" DIA. HOLES PROVIDED FOR ANCHORS BY OTHERS (TYPICAL-4)

Date	Revision	By
△		
△		
△		
△		
Scale	Drawn by: JK	01-23-19
NOTED	Ck'd by: SK	01-24-19

COLUMBIA CASCADE COMPANY
 Makers of TimberForm®, PipeLine®, RePlay®, TimberForm®-2 and CycLoops® Products.

1300 S.W. Sixth Avenue, Suite 310
 Portland, Oregon 97201-3464
 U.S.A.

Telephone 503/223-1157
 Facsimile 503/223-4530

This drawing reveals the copyrighted intellectual property of Columbia Cascade Company. Not for use by others without our express, written authorization.

Title: TIMBERFORM DILLER 2993-20 CHAIR	
Drawing No. W-2993-20	Sheet 1 of 1